



AGROS

Hydraulic Manure Spreader

AMS7000



AGRO Ansung

AGROS

AGROS Hydraulic Manure Spreader AMS 7000

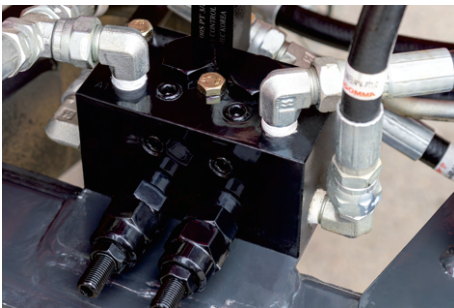
Safety, environment and unparalleled performance and quality AGROS Premium Hydraulic Manure Spreader



Ultra-precision hydraulic cylinder manure moving

This innovative product, the first of its kind in South Korea, uses ultra-precision hydraulic cylinders instead of chains for manure transfer, fundamentally solving the issue of frequent breakdowns caused by chain corrosion.

Additionally, stainless steel 304 plates are used for the floor and sides of the loading bin, completely addressing the problem of steel plate corrosion and extending the product's lifespan.



Automatic control of the working system

You can do automatic operation of hydraulic speed, working system by a special hydraulic sequence valve.



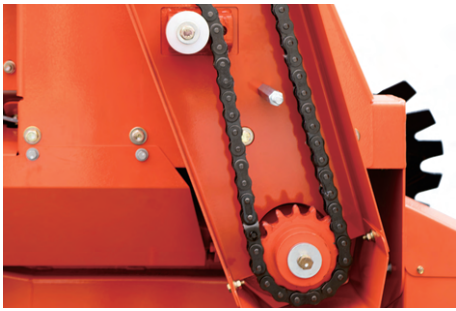
Simple warranty service by separate assembly

This machine is composed of bolt assembly box type. If there are any troubles, you can change the parts easily. A bevel gear type stand is convenient for stable maintenance of main frames and wooden upper parts protect against any damage.



Open type P.I.C. cover

P.I.C. cover and chain box are designed as one-touch type. It is simple and convenient to inject grease.



Flanged coupling for protecting frequent problems

Flanged couplings are used instead of safety pins at power transmission. This reduces the troubles when working. The tension lever controls chain extension.



Spreading far and wide

The beater rotation is operated by a tractor P.T.O. axle, so that this machine spreads manure finely, far, and wide. This machine works quietly because the precision rate of each part is advanced and strongly.



Unique technique beater knife

Beater knives which were designed by AGROS using a unique technique, guarantee perfect rotation and high strength.



Quick spreading by only oil pressure

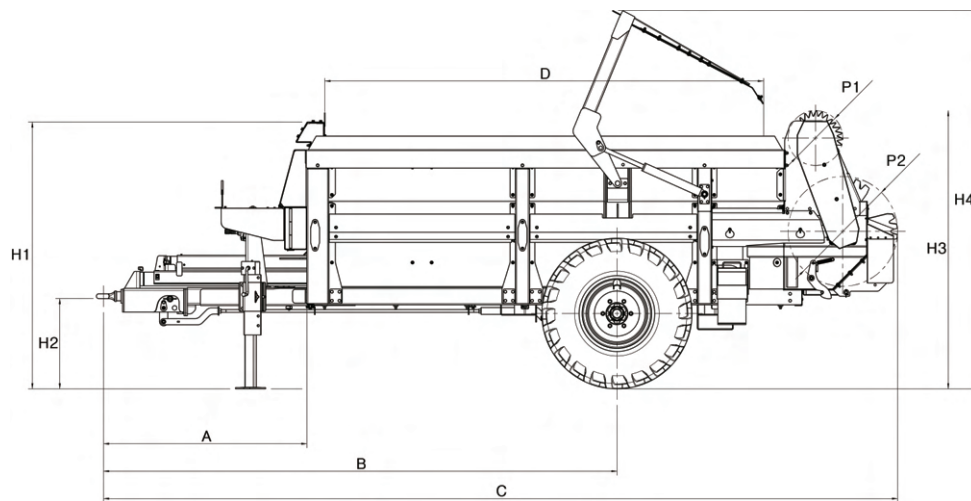
From the tractor operator's seat, manure spreading and transfer can be easily controlled with simple operations. Furthermore, a separate adjustment valve has been added to the manure spreader, allowing precise control of the amount of manure applied.



REAR



FRONT



Specifications

Model	AMS 7000	Model	AMS 7000
Overall Length(mm)	5,800	A(mm)	1,485
Overall Width(mm)	2,483	B(mm)	3,750
Overall Height(mm)	2,030	C(mm)	5,800
Load Capacity(kg)	6,500	D(mm)	3,240
Manure Transfer Type	Hydraulic Cylinder Type	H1(mm)	1,945
Load Box	Length (mm)	H2(mm)	655
	Width(mm)	H3(mm)	2,030
	Height(mm)	H4(mm)	2,760
Tire Standard	16,0 / 70-20(16PR)	P1 (∅)	400
Power Required(ps)	100ps or more	P2 (∅)	800

- These specifications may be changed without prior notice to improve performance and quality.
- The load capacity may vary from the actual weight.

AGROS

52, Seobyeon 1-gil, Miyang-myeon,
Anseong-si, Gyeonggi-do, Korea
Tel : 031-8057-9311
Fax : 031-8057-9313
<http://agros.co.kr>